

# WATER SOFTENER ACCESS BOX with INLET/OUTLET & DISCHARGE LINE

▶▶ 687 SERIES

ServiceBox™

## SPECIFICATION

Sioux Chief 687 Series water softener access box shall be used where accessible inlet/outlet and discharge line connection for water softeners is required. Access box shall include two 3/4" or 1" MIP elbows with brass caps for inlet/outlet connection and one 1/2" MIP elbow with brass cap for discharge line connection. Elbows shall include threaded brass caps for pressure test. Elbow connections shall comply with ASTM standards.

## INSTALLATION

See [www.siouxchief.com](http://www.siouxchief.com) for full installation instructions. Install in a location that allows for operation, service, maintenance, etc. Make all connections per ASTM standards with compliant materials and processes. Test with water and inspect all connections for leaks before use.

## MATERIALS

**Elbows:** No-lead brass<sup>1</sup>  
**Test caps:** No-lead brass<sup>1</sup> with EPDM seal  
**MainBlock tube anchors:** ABS  
**Access box:** Fire-rated ABS

## CERTIFICATIONS/APPROVALS

Ⓜ Tested/Certified/Approved for use in fire-rated applications - See back for ratings  
 IAPMO Listed, Complies with ANSI/NSF 372, Meets ASME A112.18.1  
 • End connections are manufactured to specifications called out in their respective ASTM standards.  
 • Standards for Fittings and tube options include: CPVC D2846, PEX tube F876/F877, PEX fittings ASTM F1807 & F1960, PERT tube ASTM 2769, PE tube ASTM D2737, PVC pipe ASTM D1785, CTS push fittings (ASSE 1061) compatible with CTS tube, IPS push fittings compatible with IPS pipe

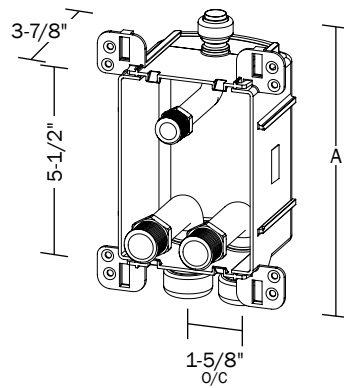
## DIMENSIONS

A: Overall height	CPVC Socket	Push (CTS)	PEX F1960	PEX F1807
3/4" Nom	8-1/2"	8-5/8"	8-1/2"	9-1/8"
1" Nom	-	9-3/8"	9"	9-1/8"

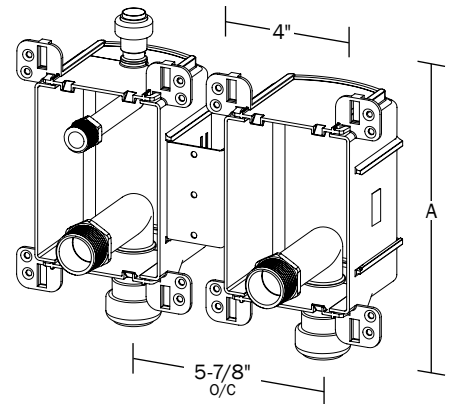


687-332QB

3/4" Model - One Box



1" Model - Two Boxes  
(includes box clip)



Create Item Number

**687-AB**

e.g. **687-332QB:** Access box with 3/4" MIP inlet/outlet elbows and 1/2" MIP elbow discharge line - Push connection

### CONNECTION SIZE A

**332** = Two 3/4" MIP inlet/outlet elbows with one 1/2" MIP elbow discharge line  
**442** = Two 1" MIP inlet/outlet elbows with one 1/2" MIP elbow discharge line

### CONNECTION TYPE B

**CB** = CPVC Socket<sup>2</sup>                      **QB** = Push Socket (CTS)  
**WB** = PEX F1960 Expansion            **XB** = PEX F1807 Crimp

### Accessories - Available Separately:

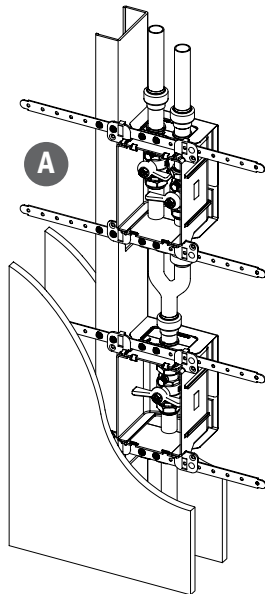
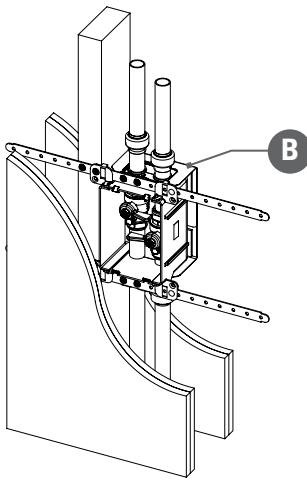
687-1F: Finish frame - fits all ServiceBox access boxes  
 696-EX: Frame extension - for multiple layers of drywall

1 Material is C693 on PEX F1807/F1960, and C46500 on Push/CPVC socket connections. Materials are dezincification and SCC resistant, and compliant with NSF-61 Annex G (California No Lead Plumbing Law)

2 Available in 3/4" Nom only

1 Box

2 Boxes  
Stacked



### ASTM E814

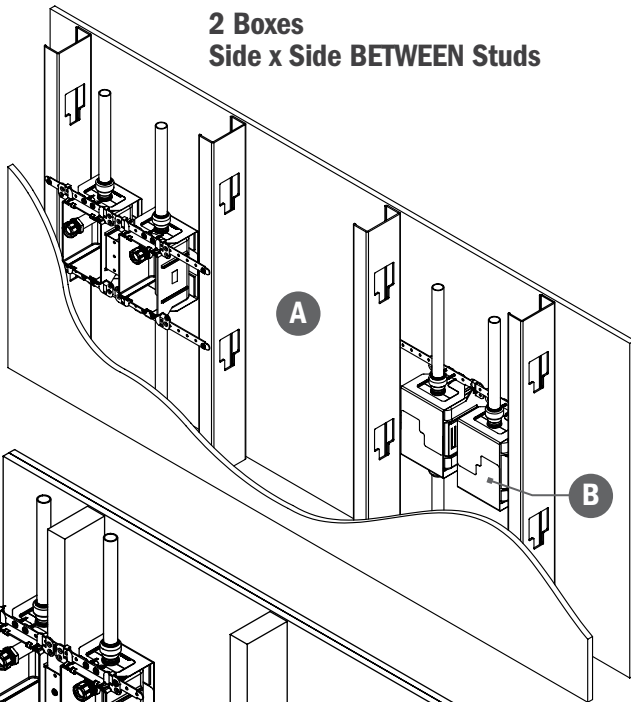
**1 Hr Walls:**  
 F: 60 min  
 T: 34.5 min  
 H: ✓

**2 Hr Walls:**  
 F: 120 min  
 T: 58.5 min  
 H: ✓

1 Hr = 1 layer 5/8" each face | 2 Hr = 2 layers 5/8" each face  
 Wood or Steel Studs | No back-to-back installations

- A** NO penetrations in adjacent stud cavity
- B** Interlocked metal fire-shield with intumescent pad must be installed on all boxes in fire-rated walls

2 Boxes  
Side x Side BETWEEN Studs



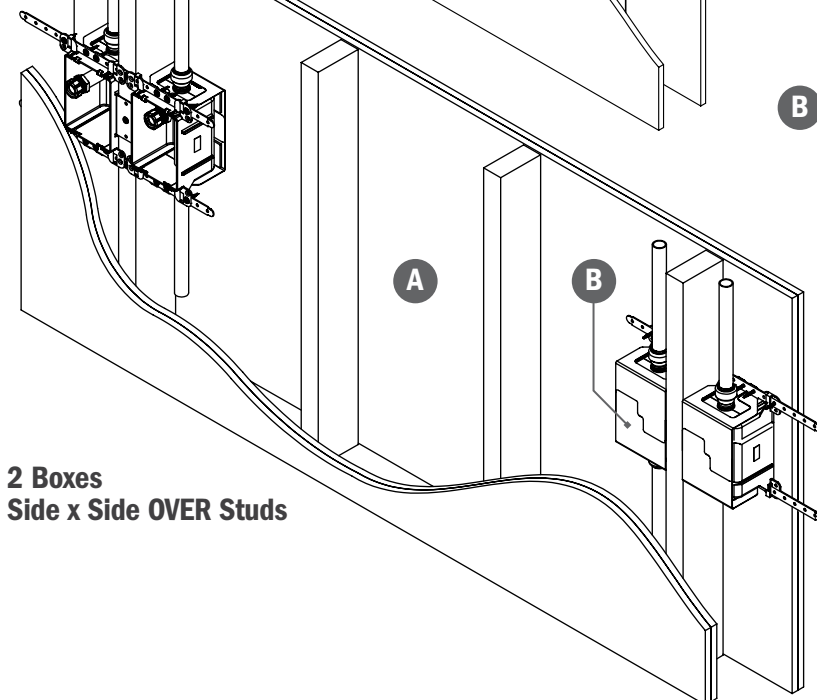
### ASTM E814

**1 Hr Walls:**  
 F: 60 min  
 T: 27.5 min  
 H: ✓

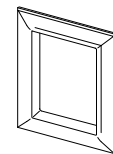
**2 Hr Walls:**  
 F: 120 min  
 T: 60 min  
 H: ✓

1 Hr = 1 layer 5/8" each face | 2 Hr = 2 layers 5/8" each face  
 Wood or Steel Studs | No back-to-back installations

- A** NO penetrations in adjacent stud cavity
- B** Interlocked metal fire-shield with intumescent pad must be installed on all boxes in fire-rated walls



2 Boxes  
Side x Side OVER Studs



No. 687-1F

Frames sold separately

